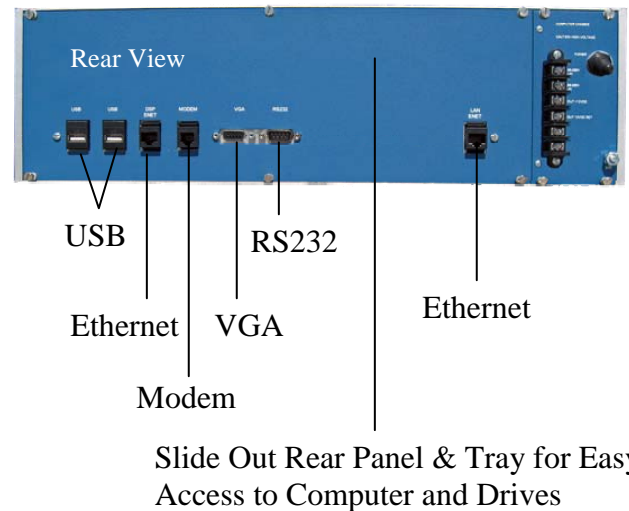
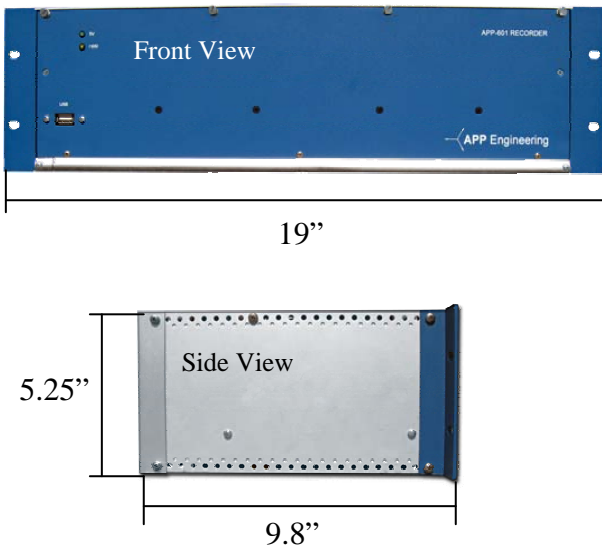




Standard Specifications

<u>Dimensions:</u>	19"W x 5.25"H x 9.8" D (Rack mount)
<u>No Moving Parts:</u>	Standard
<u>Operating Temperature Range:</u>	-25 to 70C
<u>Surge Withstand:</u>	Capacitive Coupling Camp 4kV on Power Terminal, Ethernet and USB, and 2kV on Modem and RS232
<u>Operating System:</u>	Windows XP Professional ®
<u>Processor:</u>	AMD LX 800, 500MHz Internal Bus, No Fans
<u>Ram:</u>	1GB DDR 333MHz
<u>Compact Flash:</u>	8 GB with OS Installed
<u>Ports:</u>	2 Ethernet, 1 RS232, 3 USB, 1 Modem, 1 VGA
<u>Input Voltage:</u>	86-250Vac (50/60Hz) or 86-350Vdc
<u>Output Voltage:</u>	12Vdc 100W on Terminals 3 and 4
<u>Price:</u>	\$3,998 USD

Views



Options

<u>Standard Hard Drive:</u>	250GB Minimum (5 to 55 C) (add \$199)
<u>Rugged Hard Drive:</u>	80GB (-30 to 85 C) (add \$399)
<u>Processor & RAM:</u>	Intel Pentium M 1 GHz, 400MHz Internal Bus, 2GB RAM, with Fans (One on CPU and One on Back Panel of Chassis) (add \$999)
<u>Compact Flash:</u>	16GB With OS Installed (add \$199)
<u>LCD-Keyboard-Touchpad Chassis</u>	19"W x 5.25" H x 9.8" D (Rack Mount) (Add \$1499)

Above Configuration Meet or Exceed

- ANSI/IEEE C37.90.1-2002
- IEC 60255-22-1 Cat III (Osc)
- IEC 60225-22-4 cat IV (EFT)
- IEC 60068-2-1 (Cold)
- IEC 60068-2-2 (Hot)
- IEC 60068-2-30 (Damp Heat)